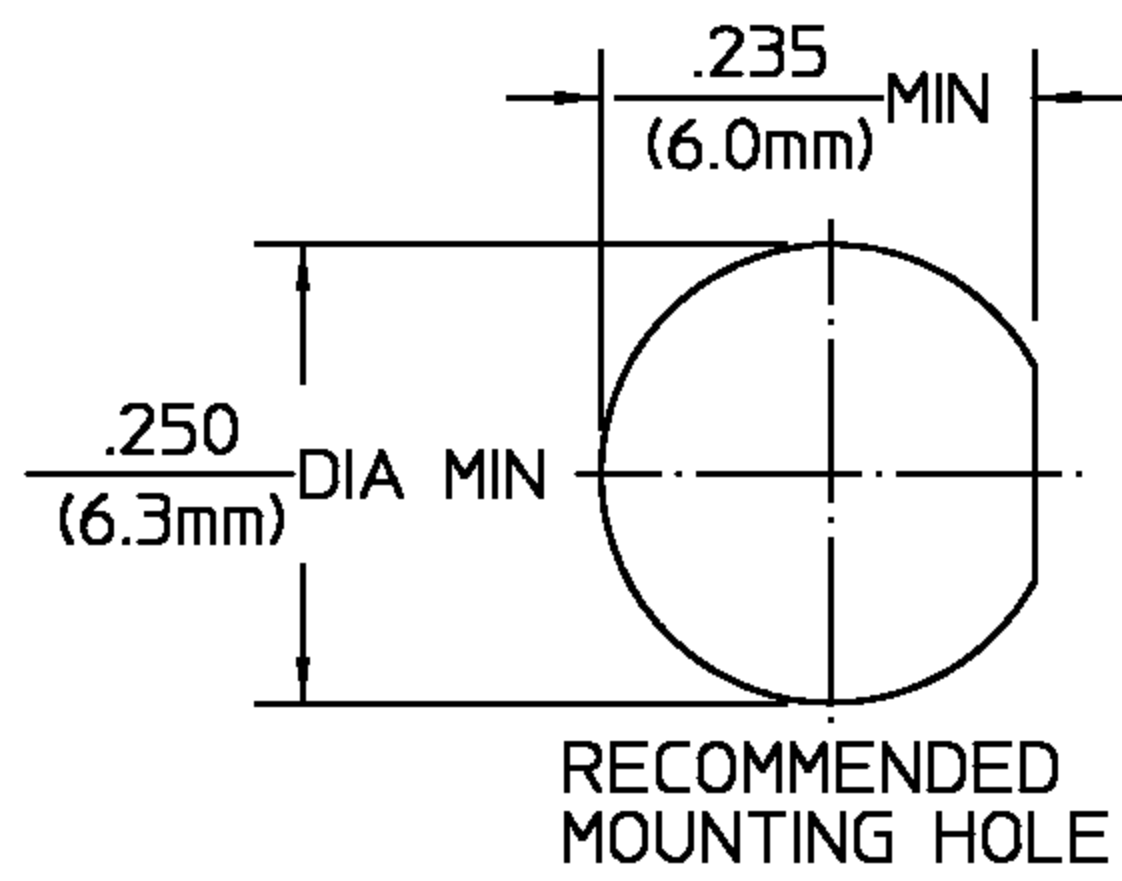
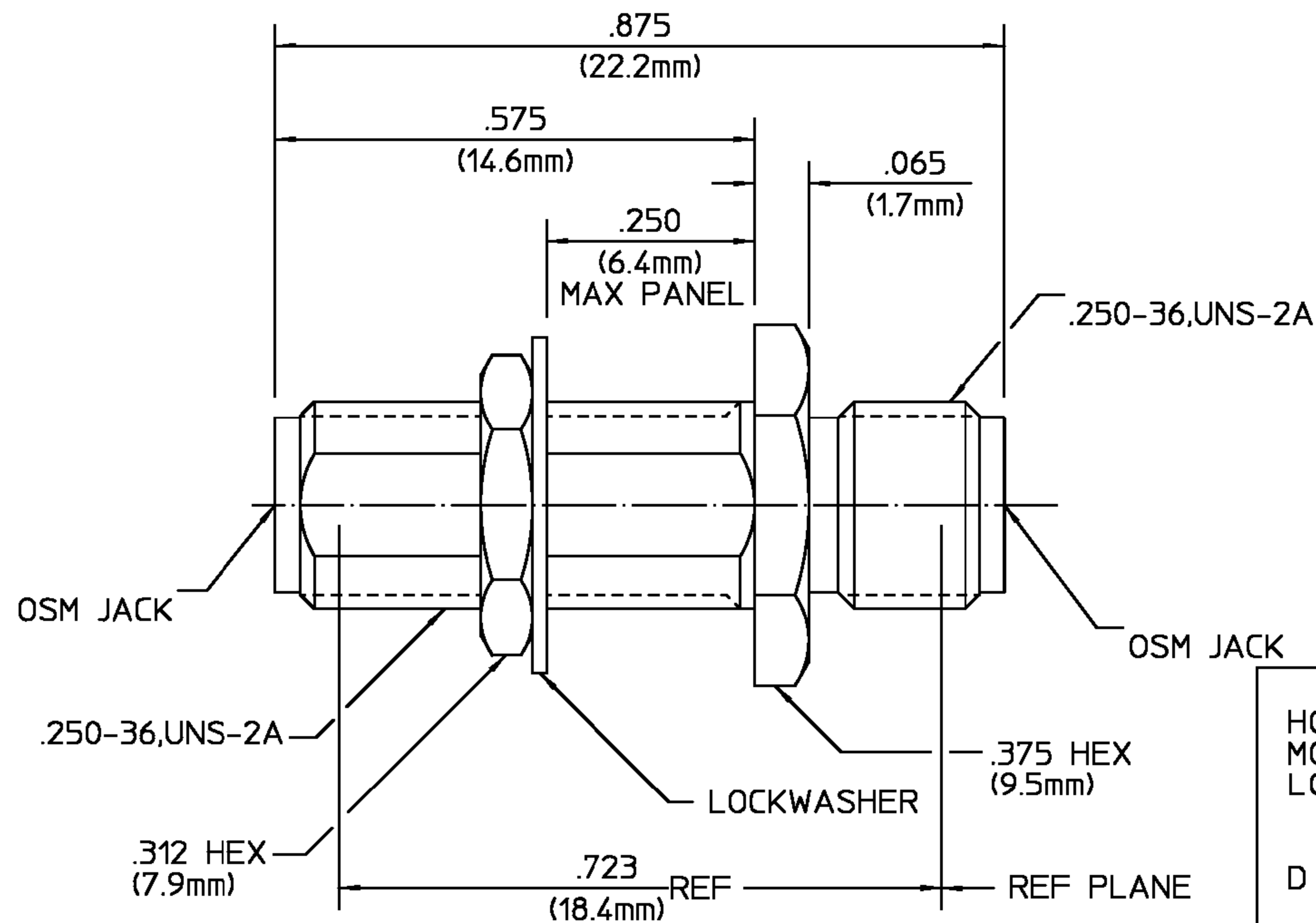


REVISIONS			
REV	DESCRIPTION	DATE	APPROVED
A1	REVISED PER ECO-11-005294	14APR11	HMR



NOTES:
1. CAPTURED CENTER CONTACT

HOUSING MOUNTING NUT LOCKWASHER	STAINLESS STEEL PER ASTM-A484 AND ASTM-A582, TYPE 303	GOLD PLATE PER MIL-G-45204 OVER NICKLE PLATE PER QQ-N-290
DIELECTRIC	TFE FLUOROCARBON PER MIL-P-19468 AND FED SPEC L-P-403	N/A
CENTER CONTACT	BERYLLIUM COPPER PER QQ-C-530, ALLOY 173	GOLD PLATE PER MIL-G-45204 OVER COPPER PLATE PER MIL-C-14550

COMPONENT	MATERIAL	FINISH
-----------	----------	--------

UNLESS OTHERWISE SPECIFIED DIMENSIONS ARE IN INCHES	DRAWN BY E.F.HOYLE	DATE 1/25/89
TOLERANCE ON	CHECKED BY L.ROSS	DATE 2-10-89
FRAC. DEC. ANGLES	APPD BY	
± 1/64 ±.005 ± °		



USE ASSY PROCEDURE 2722789	TITLE BULKHEAD FEEDTHROUGH JACK TO JACK ADAPTER
NO. AP. N/A	SIZE B
	CODE IDENT NO. 26805
	C-1054868-1
	REV A1

SCALE 5:1	SHEET 1 OF 1
-----------	--------------

CUSTOMER DRAWING